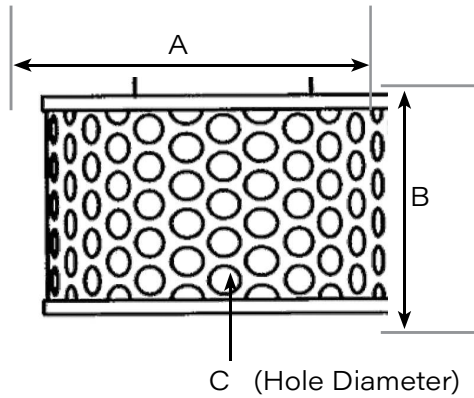


TEX-RHS

Round Hole Strainers

14 gauge zinc-plated strainer by female thread.



Female Thread Diameter	Part Number	A Dim.	B Dim.	C Dim.	Lbs./Each
1-½"	1.5-ROUND-STRAINER-SP	5.0"	4.25"	0.375"	1.20
2"	2.0-ROUND-STRAINER-SP	6.0"	4.5"	0.375"	1.65
2-½"	2.5-ROUND-STRAINER-SP	6.0"	4.5"	0.375"	1.85
3"	3.0-ROUND-STRAINER-SP	7.0"	5.625"	0.375"	2.35
4"	4.0-ROUND-STRAINER-SP	7.0"	5.75"	0.375"	2.45
6"	6.0-ROUND-STRAINER-SP	9.125"	9.25"	1.0"	5.70
8"	8.0-ROUND-STRAINER-SP	11.375"	11.25"	1.0"	9.95