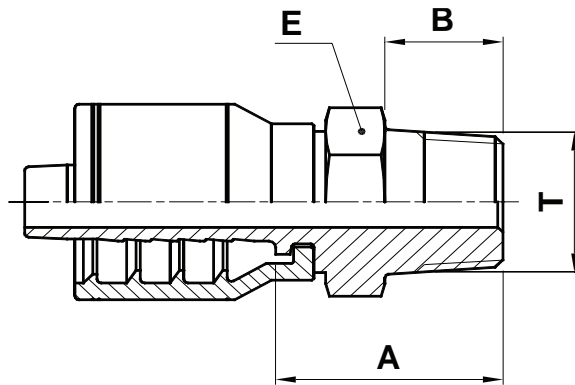


F2-BTM

BSP Taper Male



USE WITH TEXCEL HOSE SERIES

HB3K, HB3K-XT, HB4K, HB5K, HB5K-XT, HB6K, HBR1, HBR2, HHT2

ONE-PIECE NO-SKIVE FITTING

| CODE | SIZE | HOSE | | THREAD SIZE | A | | B | | E | | Box Qty | |
|-------------|------|------|----|-------------|------|------|------|------|------|------|---------|------|
| | | INCH | DN | | [in] | [mm] | [in] | [mm] | [in] | [in] | | [mm] |
| F2-0404-BTM | 04 | ¼ | 6 | ¼" - 19 | 1.04 | 26.5 | 0.55 | 14.0 | 0.55 | ⅜ | 14.0 | 50 |
| F2-0606-BTM | 06 | ⅜ | 10 | ⅜" - 19 | 1.14 | 29.0 | 0.59 | 15.0 | 0.75 | ¾ | 19.0 | 30 |
| F2-0608-BTM | 06 | ⅜ | 10 | ½" - 14 | 1.26 | 32.0 | 0.71 | 18.0 | 0.87 | ⅞ | 22.0 | 30 |
| F2-0808-BTM | 08 | ½ | 12 | ½" - 14 | 1.28 | 32.5 | 0.71 | 18.0 | 0.87 | ⅞ | 22.0 | 40 |
| F2-1010-BTM | 10 | ⅝ | 16 | ⅝" - 14 | 1.42 | 36.0 | 0.75 | 19.0 | 0.95 | 1⅝ | 24.0 | 30 |
| F2-1212-BTM | 12 | ¾ | 19 | ¾" - 14 | 1.67 | 42.5 | 0.79 | 20.0 | 1.06 | 1⅞ | 27.0 | 25 |
| F2-1616-BTM | 16 | 1 | 25 | 1" - 11 | 1.85 | 47.0 | 0.91 | 23.0 | 1.42 | 1⅞ | 36.0 | 12 |