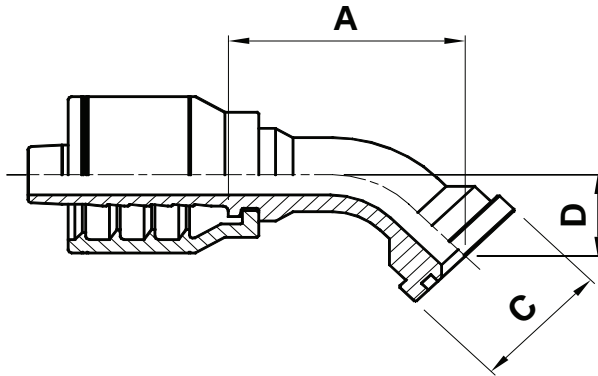
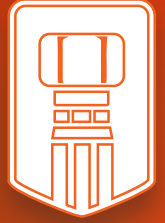


F2-FL45

Code 61 Flange 45° Bend



USE WITH TEXCEL HOSE SERIES

HB3K, HB3K-XT, HB4K, HB5K, HB5K-XT, HB6K, HBR1, HBR2, HHT2

ONE-PIECE NO-SKIVE FITTING

CODE	HOSE			FLANGE	A		C		D		Box Qty
	SIZE	INCH	DN		[in]	[mm]	[in]	[mm]	[in]	[mm]	
F2-0808-FL45	08	1/2	12	1/2"	2.17	55.2	1.18	30.0	0.89	22.6	25
F2-0812-FL45	08	1/2	12	3/4"	2.38	60.5	1.50	38.0	1.02	26.0	20
F2-1010-KFL45	10	5/8	16	5/8"	2.62	66.5	1.35	34.2	0.98	25.0	15
F2-1212-FL45	12	3/4	19	3/4"	2.70	68.5	1.50	38.0	1.10	27.9	15
F2-1216-FL45	12	3/4	19	1"	2.77	70.5	1.75	44.4	1.14	29.0	10
F2-1616-FL45	16	1	25	1"	2.93	74.4	1.75	44.4	1.06	27.0	6
F2-1620-FL45	16	1	25	1 1/4"	3.00	76.2	2.00	50.8	1.14	29.0	6