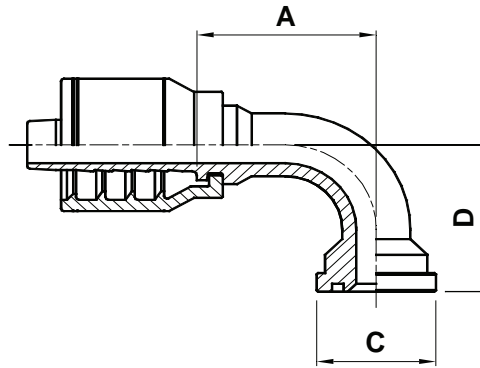


F2-FL90

Code 61 Flange 90° Bend



USE WITH TEXCEL HOSE SERIES

HB3K, HB3K-XT, HB4K, HB5K, HB5K-XT, HB6K, HBR1, HBR2, HHT2

ONE-PIECE NO-SKIVE FITTING

CODE	HOSE			FLANGE	A		C		D		Box Qty
	SIZE	INCH	DN		[in]	[mm]	[in]	[mm]	[in]	[mm]	
F2-0808-FL90	08	1/2	12	1/2"	1.83	46.5	1.18	30.0	1.85	47.0	25
F2-0812-FL90	08	1/2	12	3/4"	1.95	49.5	1.50	38.0	1.93	49.0	20
F2-1010-KFL90	10	5/8	16	5/8"	2.38	60.5	1.35	34.2	2.17	55.0	15
F2-1012-FL90	10	5/8	16	3/4"	2.19	55.5	1.50	38.0	2.17	55.0	15
F2-1212-FL90	12	3/4	19	3/4"	2.19	55.5	1.50	38.0	2.28	58.0	10
F2-1216-FL90	12	3/4	19	1"	2.19	55.5	1.75	44.4	2.34	59.5	10
F2-1616-FL90	16	1	25	1"	2.76	70.0	1.75	44.4	2.40	61.0	6
F2-1620-FL90	16	1	25	1 1/4"	2.75	69.9	2.00	50.8	2.40	61.0	6