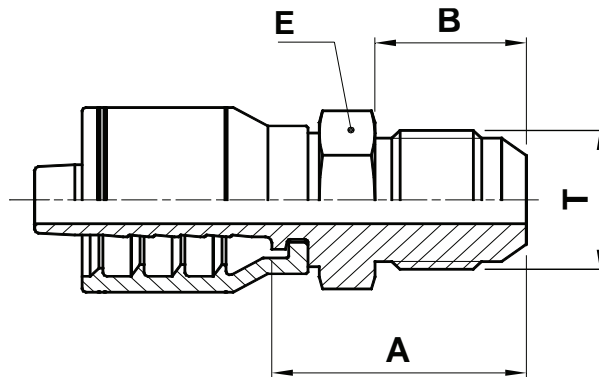




F2-JM

JIC Male



USE WITH TEXCEL HOSE SERIES

HB3K, HB3K-XT, HB4K, HB5K, HB5K-XT, HB6K, HBR1, HBR2, HHT2

ONE-PIECE NO-SKIVE FITTING

CODE	SIZE	HOSE		THREAD SIZE	A		B		E		Box Qty	
		INCH	DN		[in]	[mm]	[in]	[mm]	[in]	[in]		[mm]
F2-0404-JM	04	¼	6	7/16" - 20	1.04	26.5	0.55	14.0	0.55	9/16	14.0	50
F2-0405-JM	04	¼	6	½" - 20	1.04	26.5	0.55	14.0	0.55	9/16	14.0	50
F2-0406-JM	04	¼	6	9/16" - 18	1.08	27.5	0.55	14.0	0.67	1 1/16	17.0	50
F2-0606-JM	06	3/8	10	9/16" - 18	1.08	27.5	0.56	14.1	0.67	1 1/16	17.0	30
F2-0608-JM	06	3/8	10	¾" - 16	1.19	30.2	0.66	16.7	0.75	¾	19.0	30
F2-0610-JM	06	3/8	10	7/8" - 14	1.37	34.8	0.76	19.3	0.95	15/16	24.0	30
F2-0806-JM	08	½	12	9/16" - 18	1.11	28.1	0.56	14.1	0.75	¾	19.0	20
F2-0808-JM	08	½	12	¾" - 16	1.21	30.7	0.66	16.7	0.75	¾	19.0	25
F2-0810-JM	08	½	12	7/8" - 14	1.38	35.0	0.76	19.3	0.95	15/16	24.0	20
F2-0812-JM	08	½	12	1 1/16" - 12	1.54	39.0	0.86	21.9	1.06	1 1/16	27.0	40
F2-1010-JM	10	5/8	16	7/8" - 14	1.39	35.3	0.76	19.3	0.95	15/16	24.0	40
F2-1012-JM	10	5/8	16	1 1/16" - 12	1.53	38.9	0.86	21.9	1.06	1 1/16	27.0	25
F2-1212-JM	12	¾	19	1 1/16" - 12	1.55	39.4	0.86	21.9	1.06	1 1/16	27.0	30
F2-1214-JM	12	¾	19	1 3/16" - 12	1.58	40.1	0.89	22.6	1.26	1 ¼	32.0	20
F2-1216-JM	12	¾	19	1 5/16" - 12	1.80	45.6	0.91	23.1	1.42	1 7/16	36.0	20
F2-1616-JM	16	1	25	1 5/16" - 12	1.85	47.1	0.91	23.1	1.42	1 7/16	36.0	12
F2-1620-JM	16	1	25	1 5/8" - 12	2.31	58.8	0.96	24.3	1.81	1 13/16	46.0	10