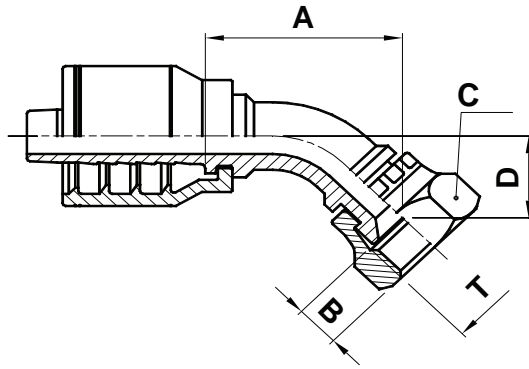




F2-KFS45

Komatsu Female Swivel 30° Seat 45° Bent Tube



USE WITH TEXCEL HOSE SERIES

HB3K, HB3K-XT, HB4K, HB5K, HB5K-XT, HB6K, HBR1, HBR2, HHT2

ONE-PIECE NO-SKIVE FITTING

CODE	HOSE			THREAD SIZE	A		B		D		C		Box Qty	
	SIZE	INCH	DN		[in]	[mm]	[in]	[mm]	[in]	[mm]	[in]	[in]		[mm]
F2-0414-KFS45	04	¼	6	M14X1.5	1.67	42.5	0.39	10.0	0.63	16.0	0.75	¾	19.0	40
F2-0618-KFS45	06	⅜	10	M18X1.5	2.03	51.5	0.45	11.5	0.77	19.5	0.95	15/16	24.0	25
F2-0822-KFS45	08	½	12	M22X1.5	2.13	54.0	0.55	14.0	0.79	20.0	1.06	1 1/16	27.0	30
F2-1024-KFS45	10	5/8	16	M24X1.5	2.78	70.5	0.59	15.1	1.06	27.0	1.26	1 ¼	32.0	15
F2-1230-KFS45	12	¾	19	M30X1.5	3.21	81.5	0.72	18.3	1.11	28.3	1.42	1 7/16	36.0	15