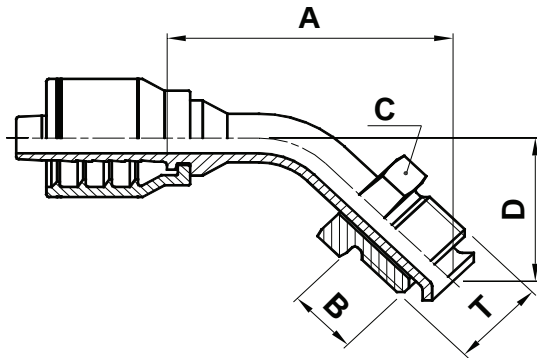




# F2-MIS45

Male Inverted Swivel 45° Bent Tube



## USE WITH TEXCEL HOSE SERIES

HB3K, HB3K-XT, HB4K, HB5K, HB5K-XT, HB6K, HBR1, HBR2, HHT2

ONE-PIECE NO-SKIVE FITTING

CODE	HOSE			THREAD SIZE	A		B		D		C		Box Qty	
	SIZE	INCH	DN		[in]	[mm]	[in]	[mm]	[in]	[mm]	[in]	[in]		[mm]
F2-0404-MIS45	04	¼	6	7/16" - 24	1.58	40.1	0.36	9.1	0.58	14.7	0.43	7/16	11.0	25
F2-0604-MIS45	06	3/8	10	7/16" - 24	1.60	40.7	0.36	9.1	0.57	14.5	0.43	7/16	11.0	30
F2-0605-MIS45	06	3/8	10	1/2" - 20	1.73	44.0	0.40	10.2	0.71	18.0	0.63	5/8	16.0	30
F2-0606-MIS45	06	3/8	10	5/8" - 18	1.87	47.5	0.40	10.2	0.75	19.0	0.63	5/8	16.0	25
F2-0808-MIS45	08	3/8	12	3/4" - 18	1.99	50.5	0.46	11.7	0.85	21.5	0.75	3/4	19.0	40