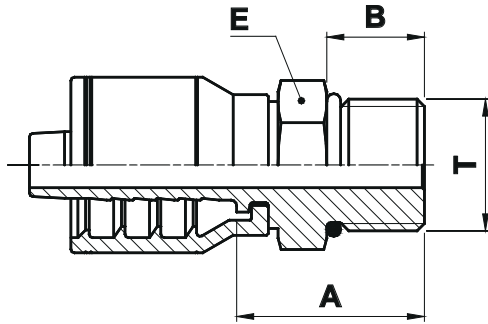
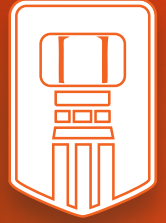


# F2-OBM

O-RING Boss Male



## USE WITH TEXCEL HOSE SERIES

HB3K, HB3K-XT, HB4K, HB5K, HB5K-XT, HB6K, HBR1, HBR2, HHT2

ONE-PIECE NO-SKIVE FITTING

CODE	HOSE			THREAD SIZE	A		B		E		Box Qty	
	SIZE	INCH	DN		[in]	[mm]	[in]	[mm]	[in]	[in]		[mm]
F2-0404-OBM	04	¼	6	7/16" - 20	0.87	22.0	0.36	9.15	0.55	9/16	14.0	30
F2-0405-OBM	04	¼	6	½" - 20	0.93	23.5	0.36	9.15	0.67	11/16	17.0	30
F2-0406-OBM	04	¼	6	9/16" - 18	0.96	24.5	0.39	10.0	0.67	11/16	17.0	50
F2-0408-OBM	04	¼	6	¾" - 16	1.04	26.5	0.44	11.1	0.87	7/8	22.0	40
F2-0606-OBM	06	3/8	10	9/16" - 18	0.96	24.5	0.39	9.9	0.67	11/16	17.0	25
F2-0608-OBM	06	3/8	10	¾" - 16	1.04	26.5	0.44	11.1	0.87	7/8	22.0	25
F2-0610-OBM	06	3/8	10	7/8" - 14	1.12	28.5	0.50	12.7	1.06	1 1/16	27.0	20
F2-0808-OBM	08	½	12	¾" - 16	1.06	27.0	0.44	11.1	0.87	7/8	22.0	50
F2-0810-OBM	08	½	12	7/8" - 14	1.14	29.0	0.50	12.7	1.06	1 1/16	27.0	20
F2-0812-OBM	08	½	12	1 1/16" - 12	1.26	32.0	0.59	15.1	1.26	1 ¼	32.0	25
F2-1010-OBM	10	5/8	16	7/8" - 14	1.14	29.0	0.50	12.7	1.06	1 1/16	27.0	30
F2-1012-OBM	10	5/8	16	1 1/16" - 12	1.26	32.0	0.59	15.0	1.26	1 ¼	32.0	25
F2-1212-OBM	12	¾	19	1 1/16" - 12	1.28	32.5	0.59	15.0	1.26	1 ¼	32.0	20
F2-1216-OBM	12	¾	19	1 5/16" - 12	1.52	38.5	0.59	15.1	1.42	1 7/16	36.0	15
F2-1616-OBM	16	1	25	1 5/16" - 12	1.54	39.1	0.59	15.1	1.50	1 ½	38.0	10