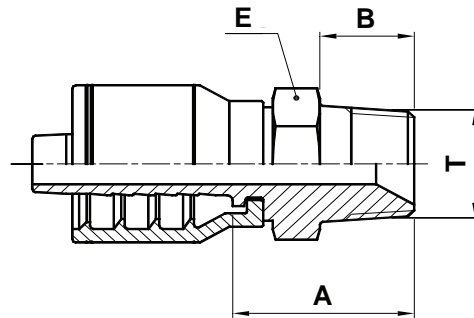


# F2-PM

NPT Male



## USE WITH TEXCEL HOSE SERIES

HB3K, HB3K-XT, HB4K, HB5K, HB5K-XT, HB6K, HBR1, HBR2, HHT2

ONE-PIECE NO-SKIVE FITTING

CODE	HOSE			THREAD SIZE	A		B		E			Box Qty
	SIZE	INCH	DN		[in]	[mm]	[in]	[mm]	[in]	[in]	[mm]	
F2-0402-PM	04	¼	6	⅛" - 27	0.87	22.0	0.37	9.5	0.55	⅞	14.0	50
F2-0404-PM	04	¼	6	¼" - 18	1.04	26.5	0.55	14.0	0.55	⅞	14.0	50
F2-0406-PM	04	¼	6	⅜" - 18	1.10	28.0	0.55	14.0	0.75	¾	19.0	50
F2-0408-PM	04	¼	6	½" - 14	1.30	33.0	0.75	19.0	0.87	⅞	22.0	40
F2-0604-PM	06	⅜	10	¼" - 18	1.04	26.5	0.55	14.0	0.67	1⅞	17.0	30
F2-0606-PM	06	⅜	10	⅜" - 18	1.10	28.0	0.55	14.0	0.75	¾	19.0	50
F2-0608-PM	06	⅜	10	½" - 14	1.30	33.0	0.75	19.0	0.87	⅞	22.0	50
F2-0806-PM	08	½	12	⅜" - 18	1.12	28.5	0.55	14.0	0.75	¾	19.0	25
F2-0808-PM	08	½	12	½" - 14	1.32	33.5	0.75	19.0	0.87	⅞	22.0	50
F2-0812-PM	08	½	12	¾" - 14	1.34	34.0	0.75	19.0	1.06	1⅞	27.0	40
F2-1008-PM	10	⅝	16	½" - 14	1.32	33.5	0.75	19.0	0.95	1⅝	24.0	40
F2-1012-PM	10	⅝	16	¾" - 14	1.61	41.0	0.75	19.0	1.06	1⅞	27.0	35
F2-1208-PM	12	¾	19	½" - 14	1.36	34.5	0.75	19.0	1.06	1⅞	27.0	30
F2-1212-PM	12	¾	19	¾" - 14	1.63	41.5	0.75	19.0	1.06	1⅞	27.0	25
F2-1216-PM	12	¾	19	1" - 11 ½	1.83	46.5	0.94	24.0	1.42	1⅞	36.0	20
F2-1612-PM	16	1	25	¾" - 14	1.69	43.0	0.75	19.0	1.26	1¼	32.0	12
F2-1616-PM	16	1	25	1" - 11 ½	1.89	48.0	0.94	24.0	1.42	1⅞	36.0	12
F2-1620-PM	16	1	25	1¼" - 11 ½	2.36	60.0	0.96	24.5	1.81	1⅞	46.0	10