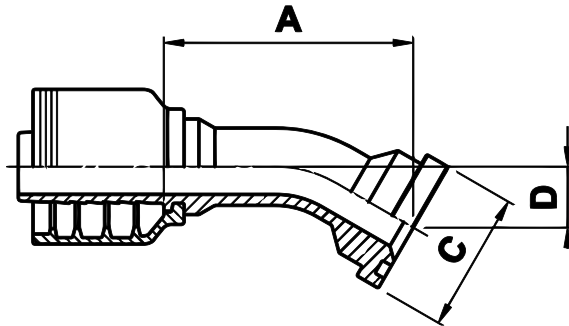
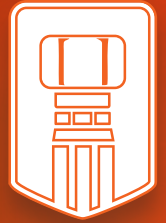


# F4-FL30

Code 61 Flange 30° Bend



## USE WITH TEXCEL HOSE SERIES

HS3K, HS4K, HS5K (TO SIZE 20), HS5K-XT, HS6K (TO SIZE 16), HBR1 (SIZES 12 TO 32), HBR2 (SIZES 12 TO 32), HB3K-12 & 16, HB4K-12

ONE-PIECE NO-SKIVE FITTING

CODE	HOSE			FLANGE	A		C		D		Box Qty
	SIZE	INCH	DN		[in]	[mm]	[in]	[mm]	[in]	[mm]	
F4-1212-FL30	12	3/4	19	3/4"	2.70	68.7	1.50	38.0	0.69	17.6	10
F4-1616-FL30	16	1	25	1"	3.03	77.0	1.75	44.4	0.65	16.5	8
F4-1620-FL30	16	1	25	1-1/4"	2.83	77.0	2.00	50.8	0.70	17.7	5
F4-2020-FL30	20	1 1/4	31	1-1/4"	3.72	94.2	2.00	50.8	0.75	19.0	4