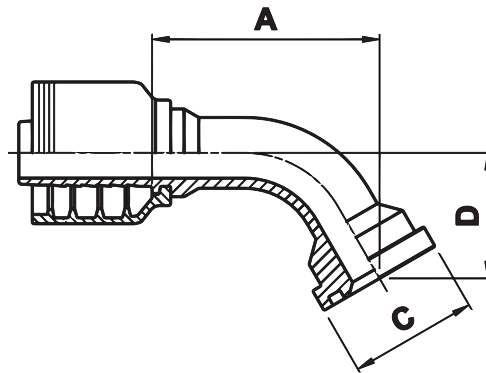


F4-FL60

Code 61 Flange 60° Bend



USE WITH TEXCEL HOSE SERIES

HS3K, HS4K, HS5K (TO SIZE 20), HS5K-XT, HS6K (TO SIZE 16), HBR1 (SIZES 12 TO 32), HBR2 (SIZES 12 TO 32), HB3K-12 & 16, HB4K-12

ONE-PIECE NO-SKIVE FITTING

CODE	HOSE			FLANGE	A		C		D		Box Qty
	SIZE	INCH	DN		[in]	[mm]	[in]	[mm]	[in]	[mm]	
F4-1212-FL60	12	¾	19	¾"	2.73	69.3	1.50	38.0	1.51	38.3	10
F4-1616-FL60	16	1	25	1"	3.10	78.7	1.75	44.4	1.58	40.0	6
F4-1620-FL60	16	1	25	1 ¼"	3.31	84.0	2.00	50.8	1.57	40.0	5
F4-2020-FL60	20	1 ¼	31	1 ¼"	3.85	97.8	2.00	50.8	1.73	44.0	5