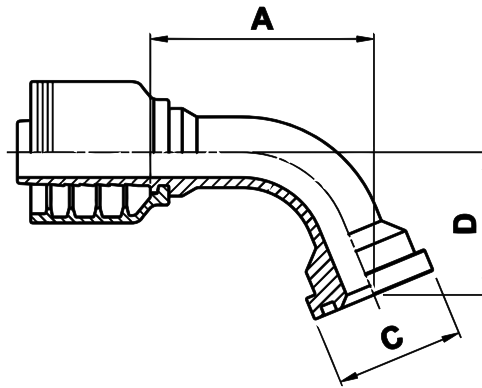




F4-FL67.5

Code 61 Flange 67.5° Bend



USE WITH TEXCEL HOSE SERIES

HS3K, HS4K, HS5K (TO SIZE 20), HS5K-XT, HS6K (TO SIZE 16), HBR1 (SIZES 12 TO 32), HBR2 (SIZES 12 TO 32), HB3K-12 & 16, HB4K-12

ONE-PIECE NO-SKIVE FITTING

CODE	HOSE			FLANGE	A		C		D		Box Qty
	DN	INCH	SIZE		[in]	[mm]	[in]	[mm]	[in]	[mm]	
F4-1212-FL67.5	12	¾	19	¾"	2.47	62.8	1.50	38.0	1.60	40.6	10
F4-1216-FL67.5	12	¾	19	1"	2.54	64.5	1.75	44.4	1.76	44.7	10
F4-1616-FL67.5	16	1	25	1"	2.99	76.0	1.75	44.4	1.81	46.0	5
F4-1620-FL67.5	16	1	25	1 ¼"	3.19	81.0	2.00	50.8	1.80	45.6	5
F4-2020-FL67.5	20	1 ¼	31	1 ¼"	3.37	85.6	2.00	50.8	1.97	50.0	5
F4-2424-FL67.5	24	1 ½	38	1 ½"	4.27	108.5	2.37	60.3	2.34	59.5	4