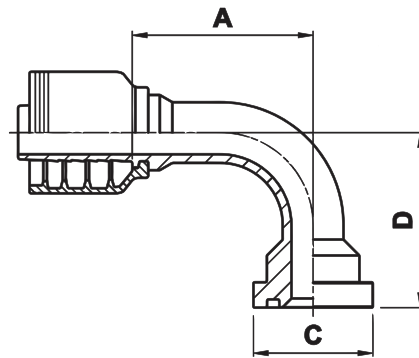


# F4-FL90

Code 61 Flange 90° Bend



## USE WITH TEXCEL HOSE SERIES

HS3K, HS4K, HS5K (TO SIZE 20), HS5K-XT, HS6K (TO SIZE 16), HBR1 (SIZES 12 TO 32), HBR2 (SIZES 12 TO 32), HB3K-12 & 16, HB4K-12

ONE-PIECE NO-SKIVE FITTING

CODE	HOSE			FLANGE	A		C		D		Box Qty
	DN	INCH	SIZE		[in]	[mm]	[in]	[mm]	[in]	[mm]	
F4-0808-FL90	08	½	12	½"	2.00	50.8	1.19	30.2	1.77	45.0	25
F4-0812-FL90	08	½	12	¾"	2.00	50.8	1.50	38.0	1.97	50.0	20
F4-1212-FL90	12	¾	19	¾"	2.19	55.5	1.50	38.0	2.22	56.5	10
F4-1216-FL90	12	¾	19	1"	2.19	55.5	1.75	44.4	2.28	58.0	10
F4-1616-FL90	16	1	25	1"	2.76	70.0	1.75	44.4	2.40	61.0	6
F4-1620-FL90	16	1	25	1 ¼"	2.75	69.9	2.00	50.8	2.40	61.0	6
F4-2020-FL90	20	1 ¼	31	1 ¼"	3.43	87.0	2.00	50.8	2.72	69.2	6
F4-2024-FL90	20	1 ¼	31	1 ½"	3.43	87.0	2.37	60.3	2.72	69.2	6
F4-2424-FL90	24	1 ½	38	1 ½"	4.09	104.0	2.37	60.3	3.19	81.0	4
F4-2432-FL90	24	1 ½	38	2"	4.02	102.0	2.81	71.4	3.35	85.0	4
F4-3224-FL90	32	2	51	1 ½"	4.53	115.0	2.38	60.4	3.19	81.0	2
F4-3232-FL90	32	2	51	2"	5.21	132.3	2.81	71.4	4.84	123.0	2
F4-3240-FL90	32	2	51	2 ½"	5.59	142.0	3.31	84.1	5.20	132.0	1