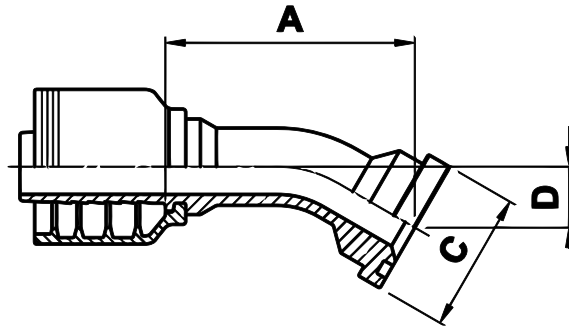


F4-FLH30

Code 62 Flange 30° Bend



USE WITH TEXCEL HOSE SERIES

HS3K, HS4K, HS5K (TO SIZE 20), HS5K-XT, HS6K (TO SIZE 16), HBR1 (SIZES 12 TO 32), HBR2 (SIZES 12 TO 32), HB3K-12 & 16, HB4K-12

ONE-PIECE NO-SKIVE FITTING

CODE	HOSE		FLANGE	A		C		D		Box Qty	
	SIZE	INCH		DN	[in]	[mm]	[in]	[mm]	[in]		[mm]
F4-1616-FLH30	16	1	25	1"	3.54	90.0	0.75	19.0	1.87	47.6	8