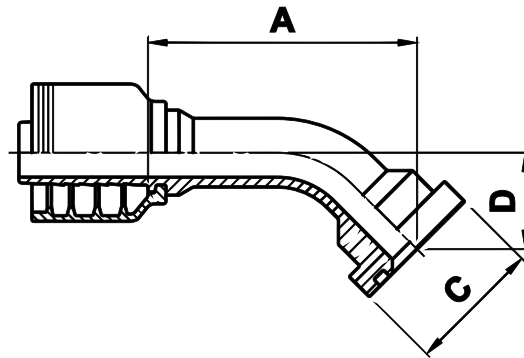


F4-FLH45

Code 62 Flange 45° Bend



USE WITH TEXCEL HOSE SERIES

HS3K, HS4K, HS5K (TO SIZE 20), HS5K-XT, HS6K (TO SIZE 16), HBR1 (SIZES 12 TO 32), HBR2 (SIZES 12 TO 32), HB3K-12 & 16, HB4K-12

ONE-PIECE NO-SKIVE FITTING

CODE	HOSE			FLANGE	A		C		D		Box Qty
	SIZE	INCH	SDN		[in]	[mm]	[in]	[mm]	[in]	[mm]	
F4-1212-FLH45	12	¾	19	¾"	2.70	68.7	1.63	41.3	1.10	27.9	10
F4-1216-FLH45	12	¾	19	1"	2.94	74.7	1.90	47.6	1.33	33.9	8
F4-1612-FLH45	16	1	25	¾"	3.27	83.0	1.63	41.3	1.22	31.0	5
F4-1616-FLH45	16	1	25	1"	3.11	78.9	1.88	47.6	1.21	30.8	5
F4-1620-FLH45	16	1	25	1 ¼"	3.74	95.0	2.13	54.0	1.54	39.0	6
F4-2016-FLH45	20	1 ¼	31	1"	4.55	115.5	1.90	47.6	1.50	38.1	5
F4-2020-FLH45	20	1 ¼	31	1 ¼"	4.55	115.5	2.13	54.0	1.72	43.8	6
F4-2024-FLH45	20	1 ¼	31	1 ½"	4.63	117.5	2.50	63.5	1.89	48.0	5
F4-2424-FLH45	24	1 ½	38	1 ½"	4.96	126.0	2.50	63.5	1.85	47.0	3
F4-3232-FLH45	32	2	51	2"	6.65	169.0	3.13	79.4	2.40	61.0	2