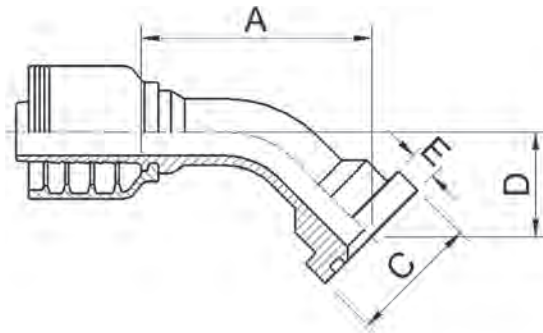


F4-FLH45C

Code 62 CAT Flange 45° Bend



USE WITH TEXCEL HOSE SERIES

HS3K, HS4K, HS5K (TO SIZE 20), HS5K-XT, HS6K (TO SIZE 16), HBR1 (SIZES 12 TO 32), HBR2 (SIZES 12 TO 32), HB3K-12 & 16, HB4K-12

ONE-PIECE NO-SKIVE FITTING

CODE	HOSE			FLANGE	A		C		D		E		Box Qty
	SIZE	INCH	DN		[in]	[mm]	[in]	[mm]	[in]	[mm]	[in]	[mm]	
F4-1212-FLH45C	12	3/4	19	3/4"	3.36	85.4	1.63	41.3	1.27	32.5	0.57	14.5	10
F4-1216FLH45C	12	3/4	19	1"	3.18	80.7	1.87	47.6	1.48	37.5	0.57	14.5	8
F4-1616-FLH45C	16	1	25	1"	3.24	82.2	1.87	47.6	1.36	34.7	0.57	14.5	6
F4-1620-FLH45C	16	1	25	1 1/4"	3.67	93.2	2.13	54.0	1.65	41.9	0.57	14.5	6
F4-2020-FLH45C	20	1 1/4	31	1 1/4"	4.67	118.5	2.13	54.0	1.83	46.5	0.57	14.5	6