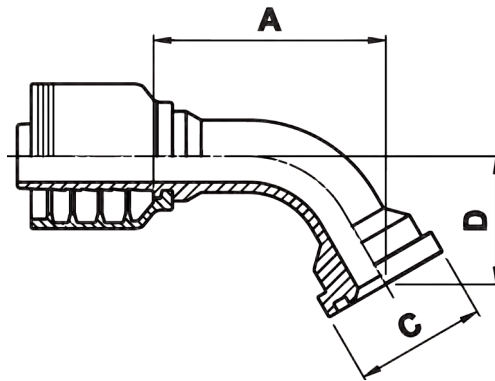




# F4-FLH60

Code 62 Flange 60° Bend



## USE WITH TEXCEL HOSE SERIES

HS3K, HS4K, HS5K (TO SIZE 20), HS5K-XT, HS6K (TO SIZE 16), HBR1 (SIZES 12 TO 32), HBR2 (SIZES 12 TO 32), HB3K-12 & 16, HB4K-12

ONE-PIECE NO-SKIVE FITTING

CODE	HOSE			FLANGE	A		C		D		Box Qty
	SIZE	INCH	SDN		[in]	[mm]	[in]	[mm]	[in]	[mm]	
F4-1616-FLH60	16	1	25	1"	3.99	101.4	1.88	47.6	1.71	43.4	5
F4-2020-FLH60	20	1 ¼	31	1 ¼"	4.45	113.0	2.13	54.0	2.17	55.0	5
F4-2424-FLH60	24	1 ½	38	1 ½"	5.19	132.0	2.50	63.5	2.63	67.0	5