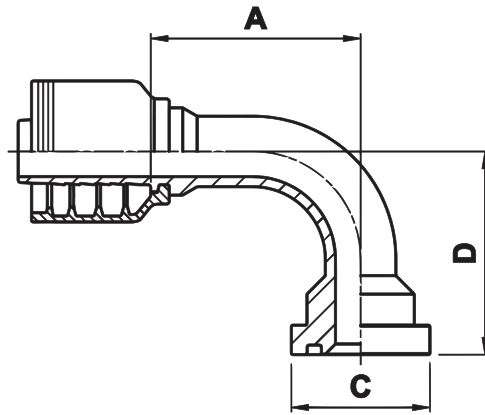


F4-FLH90

Code 62 Flange 90° Bend



USE WITH TEXCEL HOSE SERIES

HS3K, HS4K, HS5K (TO SIZE 20), HS5K-XT, HS6K (TO SIZE 16), HBR1 (SIZES 12 TO 32), HBR2 (SIZES 12 TO 32), HB3K-12 & 16, HB4K-12

ONE-PIECE NO-SKIVE FITTING

CODE	HOSE			FLANGE	A		C		D		Box Qty
	SIZE	INCH	DN		[in]	[mm]	[in]	[mm]	[in]	[mm]	
F4-0808-FLH90	08	½	12	½"	1.96	49.7	1.25	31.7	1.85	47.0	25
F4-0812-FLH90	08	½	12	¾"	1.82	46.2	1.63	41.3	2.20	56.0	25
F4-1212-FLH90	12	¾	19	¾"	2.19	55.5	1.63	41.3	2.22	56.5	10
F4-1216-FLH90	12	¾	19	1"	2.19	55.5	1.88	47.6	2.56	65.0	10
F4-1616-FLH90	16	1	25	1"	2.99	76.0	1.88	47.6	2.60	66.0	5
F4-1620-FLH90	16	1	25	1¼"	3.09	78.5	2.13	54.0	3.13	79.5	5
F4-2016-FLH90	20	1¼	31	1"	4.09	104.0	1.87	47.6	3.43	87.0	5
F4-2020-FLH90	20	1¼	31	1¼"	4.09	104.0	2.13	54.0	3.39	86.0	5
F4-2024-FLH90	20	1¼	31	1½"	4.10	104.2	2.50	63.5	3.86	98.0	5
F4-2424-FLH90	24	1½	38	1½"	4.37	111.0	2.50	63.5	4.09	104.0	3
F4-3232-FLH90	32	2	51	2"	5.88	149.3	3.13	79.4	5.28	134.0	1