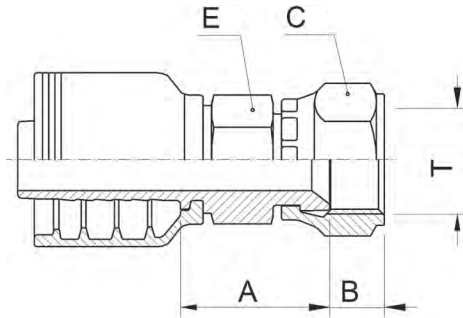


# F4-KFS

Komatsu Female Swivel 30° Seat



## USE WITH TEXCEL HOSE SERIES

HS3K, HS4K, HS5K (TO SIZE 20), HS5K-XT, HS6K (TO SIZE 16), HBR1 (SIZES 12 TO 32), HBR2 (SIZES 12 TO 32), HB3K-12 & 16, HB4K-12

ONE-PIECE NO-SKIVE FITTING

CODE	HOSE			THREAD SIZE	A		B		E		C		Box Qty		
	SIZE	INCH	DN		[in]	[mm]	[in]	[mm]	[in]	[in]	[mm]	[in]		[in]	[mm]
F4-0822-KFS	08	½	12	M22X1.5	1.09	27.7	0.55	14.0	0.87	⅞	22.0	1.06	1 ⅛	27.0	30
F4-1024-KFS	10	⅝	16	M24X1.5	1.12	28.4	0.59	15.1	0.95	1 ⅛	24.0	1.26	1 ¼	32.0	20
F4-1224-KFS	12	¾	19	M24X1.5	1.22	31.2	0.59	15.1	1.06	1 ⅛	27.0	1.26	1 ¼	32.0	15
F4-1230-KFS	12	¾	19	M30X1.5	1.29	33.0	0.72	18.3	1.18	1 ⅜	30.0	1.42	1 ⅞	36.0	15
F4-1633-KFS	16	1	25	M33X1.5	1.37	34.7	0.84	21.3	1.26	1 ¼	32.0	1.61	1 ⅝	41.0	10