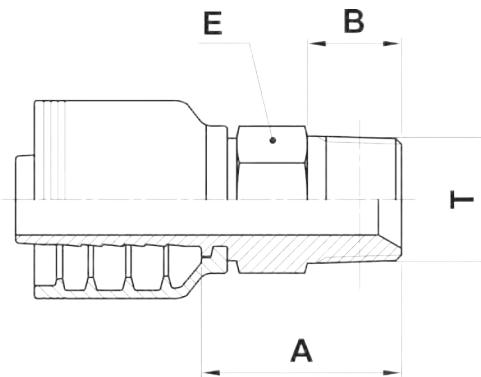




F4-PM

NPT Male



USE WITH TEXCEL HOSE SERIES

HS3K, HS4K, HS5K (TO SIZE 20), HS5K-XT, HS6K (TO SIZE 16), HBR1 (SIZES 12 TO 32), HBR2 (SIZES 12 TO 32), HB3K-12 & 16, HB4K-12

ONE-PIECE NO-SKIVE FITTING

| CODE | SIZE | HOSE | | THREAD SIZE | A | | B | | E | | Box Qty | |
|------------|------|-------|----|-----------------|------|------|------|------|------|---------|---------|------|
| | | INCH | DN | | [in] | [mm] | [in] | [mm] | [in] | [in] | | [mm] |
| F4-0806-PM | 08 | 1/2 | 12 | 3/8" - 18 | 1.15 | 29.3 | 0.55 | 14.0 | 0.75 | 3/4 | 19.0 | 40 |
| F4-0808-PM | 08 | 1/2 | 12 | 1/2" - 14 | 1.41 | 35.7 | 0.75 | 19.0 | 0.87 | 7/8 | 22.0 | 40 |
| F4-1012-PM | 10 | 5/8 | 16 | 3/4" - 14 | 1.61 | 41.0 | 0.75 | 19.0 | 1.06 | 1 1/16 | 27.0 | 25 |
| F4-1212-PM | 12 | 3/4 | 19 | 3/4" - 14 | 1.69 | 43.0 | 0.75 | 19.0 | 1.06 | 1 1/16 | 27.0 | 20 |
| F4-1612-PM | 16 | 1 | 25 | 3/4" - 14 | 1.74 | 44.1 | 0.75 | 19.0 | 1.26 | 1 1/4 | 32.0 | 12 |
| F4-1616-PM | 16 | 1 | 25 | 1" - 11 1/2 | 1.89 | 48.0 | 0.94 | 24.0 | 1.42 | 1 7/16 | 36.0 | 12 |
| F4-1620-PM | 16 | 1 | 25 | 1 1/4" - 11 1/2 | 2.36 | 60.0 | 0.96 | 24.5 | 1.81 | 1 13/16 | 46.0 | 12 |
| F4-2020-PM | 20 | 1 1/4 | 31 | 1 1/4" - 11 1/2 | 2.48 | 62.9 | 0.96 | 24.5 | 1.81 | 1 13/16 | 46.0 | 6 |
| F4-2424-PM | 24 | 1 1/2 | 38 | 1 1/2" - 11 1/2 | 2.52 | 64.0 | 1.00 | 25.5 | 1.97 | 2 | 50.0 | 4 |
| F4-3232-PM | 32 | 2 | 51 | 2" - 11 1/2 | 3.02 | 76.7 | 1.02 | 26.0 | 2.56 | 2 9/16 | 65.0 | 3 |