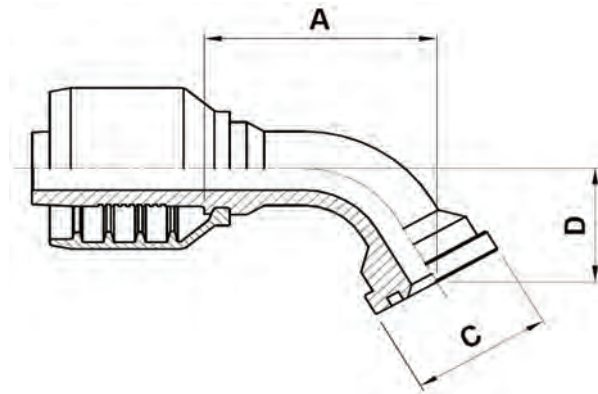


F6-FL60

Code 61 Flange 60° Bend



USE WITH TEXCEL HOSE SERIES

HS5K (size 24 to 32), HS6K (size 20 to 32)

ONE-PIECE NO-SKIVE FITTING

CODE	HOSE			FLANGE	A		C		D		Box Qty
	SIZE	INCH	DN		[in]	[mm]	[in]	[mm]	[in]	[mm]	
F6-2020-FL60	20	1 1/4	31	1 1/4"	3.85	97.8	2.00	50.8	1.73	43.9	5