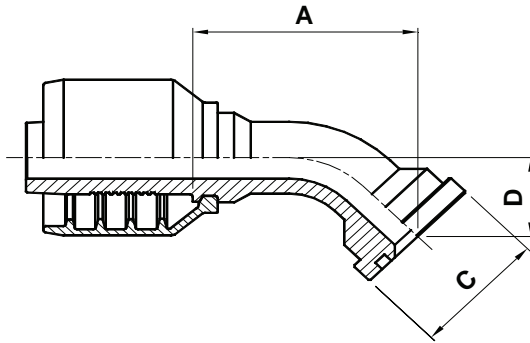
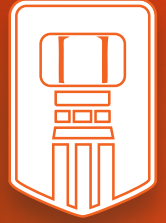


# F6-FLH45

Code 62 Flange 45° Bend



## USE WITH TEXCEL HOSE SERIES

HS5K (size 24 to 32), HS6K (size 20 to 32)

ONE-PIECE NO-SKIVE FITTING

CODE	HOSE			FLANGE	A		C		D		Box Qty
	SIZE	INCH	DN		[in]	[mm]	[in]	[mm]	[in]	[mm]	
F6-2016-FLH45	20	1 ¼	31	1"	4.55	115.5	1.88	47.6	1.50	38.1	6
F6-2020-FLH45	20	1 ¼	31	1 ¼"	4.55	115.5	2.13	54.0	1.72	43.8	6
F6-2024-FLH45	20	1 ¼	31	1 ½"	4.63	117.5	2.50	63.5	1.89	48.0	5
F6-2424-FLH45	24	1 ½	38	1 ½"	5.98	152.0	2.50	63.5	1.85	47.0	3
F6-2432-FLH45	24	1 ½	38	2"	5.75	146.0	3.13	79.4	2.24	57.0	3
F6-3232-FLH45	32	2	51	2"	6.85	174.0	3.13	79.4	2.40	61.0	2