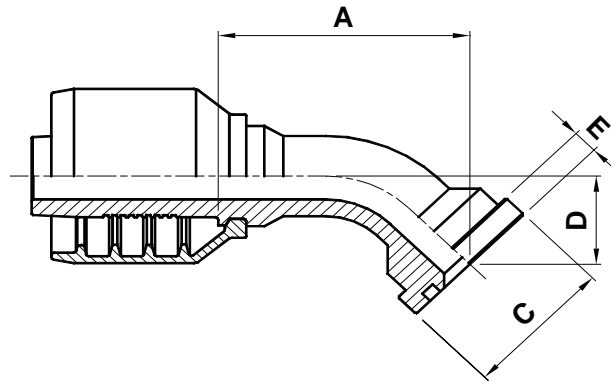


F6-FLH45C

Code 62 CAT Flange 45° Bend



USE WITH TEXCEL HOSE SERIES

HS5K (size 24 to 32), HS6K (size 20 to 32)

ONE-PIECE NO-SKIVE FITTING

CODE	HOSE			FLANGE	A		C		D		E		Box Qty
	SIZE	INCH	DN		[in]	[mm]	[in]	[mm]	[in]	[mm]	[in]	[mm]	
F6-2020-FLH45C	20	1 ¼	31	1 ¼"	4.67	118.5	2.13	54.0	1.83	46.5	0.57	14.5	6
F6-2024-FLH45C	20	1 ¼	31	1 ¼"	6.04	153.5	2.50	63.5	1.91	48.5	0.57	14.5	3
F6-2424-FLH45C	24	1 ½	38	1 ½"	6.04	153.5	2.50	63.5	1.91	48.5	0.57	14.5	3