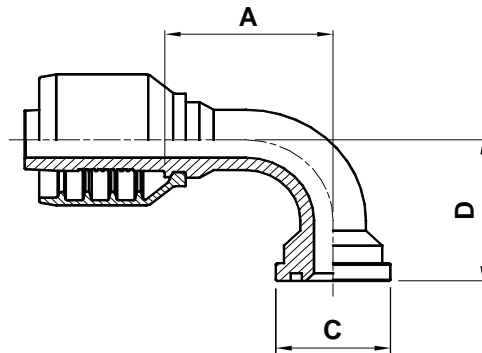


F6-FLH90

Code 62 Flange 90° Bend



USE WITH TEXCEL HOSE SERIES

HS5K (size 24 to 32), HS6K (size 20 to 32)

ONE-PIECE NO-SKIVE FITTING

CODE	SIZE	HOSE		FLANGE	A		C		D		Box Qty
		INCH	DN		[in]	[mm]	[in]	[mm]	[in]	[mm]	
F6-2016-FLH90	20	1 ¼	31	1"	4.31	109.5	1.87	47.6	3.43	87.0	3
F6-2020-FLH90	20	1 ¼	31	1 ¼"	4.09	104.0	2.13	54.0	3.39	86.0	5
F6-2024-FLH90	20	1 ¼	31	1 ½"	4.10	104.2	2.50	63.5	3.86	98.0	5
F6-2424-FLH90	24	1 ½	38	1 ½"	4.90	124.5	2.50	63.5	4.09	104.0	3
F6-3232-FLH90	32	2	51	2"	6.38	162.0	3.13	79.4	5.28	134.0	1