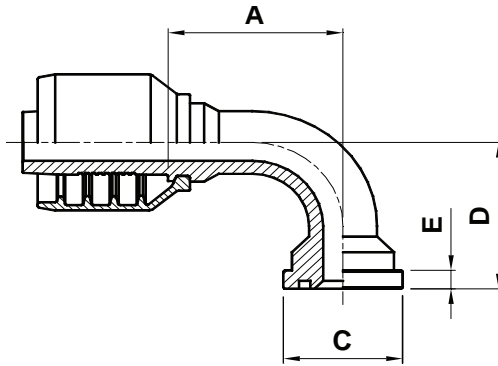
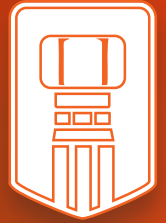


# F6-FLH90C

Code 62 CAT Flange 90° Bend



## USE WITH TEXCEL HOSE SERIES

HS5K (size 24 to 32), HS6K (size 20 to 32)

ONE-PIECE NO-SKIVE FITTING

CODE	HOSE			FLANGE	A		C		D		E		Box Qty
	DN	INCH	SIZE		[in]	[mm]	[in]	[mm]	[in]	[mm]	[in]	[mm]	
F6-2020-FLH90C	20	1 ¼	31	1 ¼"	4.09	104.0	2.13	54.0	3.55	90.2	0.57	14.5	6
F6-2024-FLH90C	20	1 ¼	31	1 ½"	5.08	129.0	2.50	63.5	4.29	109.0	0.57	14.5	5
F6-2424-FLH90C	24	1 ½	38	1 ½"	5.08	129.0	2.50	63.5	4.29	109.0	0.57	14.5	5
F6-3232-FLH90C	32	2	51	2"	6.26	159.0	3.13	79.4	5.35	136.0	0.57	14.5	3