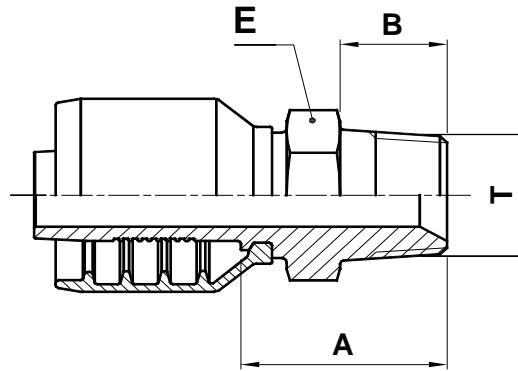


# F6-PM-X

NPT API Male Extended



## USE WITH TEXCEL HOSE SERIES

HS5K (size 24 to 32), HS6K (size 20 to 32)

ONE-PIECE NO-SKIVE FITTING

CODE	SIZE	HOSE		THREAD SIZE	A		B		E		Box Qty	
		INCH	DN		[in]	[mm]	[in]	[mm]	[in]	[in]		[mm]
F6-3232-PM-X	32	2	51	2" - 11 1/2"	4.40	111.7	2.01	51.0	2.56	2 9/16	65.0	3